

# GAS SYSTEM SERIES 4000 BIOGAS

400 V / 50 Hz\*



## SYSTEM RATINGS

### Biogas genset without heat extraction (heat recovery unit optional)

MTU Onsite Energy Type	Former Genset Type	Output				Energy input 4)	Efficiency		Methane Number	Dimensions (L x W x H)
		Elect.	Therm.	Exhaust	Low		Electr.	Total		
		1)	2)	3)	Temp.					
AoB	kW <sub>el.</sub>	kW <sub>th.</sub>	kW <sub>th.</sub> (°C)	kW <sub>th.</sub> (°C)	kW	n <sub>el.</sub> (%)	n <sub>tot.</sub> (%)	mm		
GB 800 B5	8V 4000 L32FB	800	(392)	402 (120)	78 (40)	1861	43,0	(85,7)	≥ 120	4150x2000x2400
GB 1169 B5	12V 4000 L32FB	1169	(572)	603 (120)	103 (40)	2719	43,0	(86,2)	≥ 120	4700x2000x2400
GB 1560 B5	16V 4000 L32FB	1560	(628)	800 (120)	318 (40)	3616	43,1	(82,6)	≥ 120	5500x2000x2400
GB 1948 B5	20V 4000 L32FB	1948	(734)	1047 (120)	394 (40)	4498	43,3	(82,9)	≥ 120	6000x2000x2400

\* NO<sub>x</sub> < 500 mg/m<sub>n</sub><sup>3</sup>

1) cos φ = 1,0

2) from jacket water, tolerance 8%

3) from exhaust gas (cooling down to 120°C), tolerance 8%

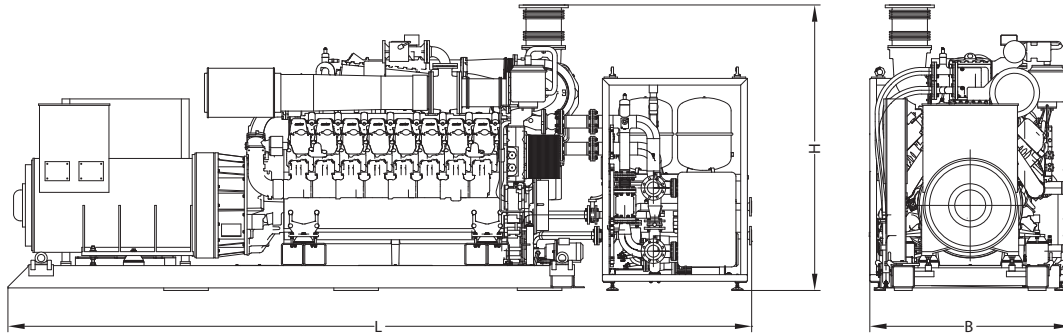
4) performance data in accordance with ISO 3046/I-2002, tolerance 5%

All data according to full load, indicated gas mixture cooler water inlet temperature and are subject to technical development.

### Project specific data on request:

- Individual data (e.g. flow-/return-temperatures, hot cooling, methane number, assembly space, etc.)
- Container

## DRAWINGS AND DIMENSIONS



Note: This drawing is provided for reference only and should not be used for planning installation.

## ENGINE DATA

### 4000

Configuration	90° V
No. of cylinders	8/12/16/20
Bore/Stroke	170/210 mm
Cyl. displacement	4.77 lit.

## DESIGN AND EQUIPMENT (EXTRACT)

- // Sliding gear starter 24V, 2 x 9 kW
- // Flexible coupling, interconnecting bell housing, service opening so that replacement of the rubber element can be achieved without displacing engine or generator
- // Gas supply through venturi air-gas mixer with electronically controlled gas metering valve
- // Components of the gas regulation line approved per Directive for Gas Components 90/356/EWG
- // Electronic high-voltage capacitor ignition system with one ignition coil per cylinder
- // Electronic speed governor for speed and power output control with automatic knocking control
- // Oil sump, removable without lifting the engine

Version: Materials and specifications subject to change without notice due to technical advances.