

DIESEL GENERATOR SET

DP450D5S

450 kVA / 50 Hz / Prime (Fuel-Optimized)
380 - 415V

(Reference DS500D5S-Fuel Optimized for Standby Rating Technical Data)



SYSTEM RATINGS

Prime **	DP450D5SVA	DP450D5SFA	DP450D5SEA
Voltage (L-L)	380V	400V	415V
Phase	3	3	3
PF	0.8	0.8	0.8
Hz	50	50	50
kW	360	360	360
kVA	450	450	450
Amps	684	650	626
skVA@30%			
Voltage Dip	720	960	1200
Generator Model	572RSL4025	572RSL4027	572RSL4027
Temp Rise	125 °C/40 °C	125 °C/40 °C	125 °C/40 °C
Connection	4 LEAD WYE	4 LEAD WYE	4 LEAD WYE

** Prime technical data is for a Fuel-Optimized Prime unit.

CERTIFICATIONS AND STANDARDS

// **Generator set is designed and manufactured in facilities certified to standards ISO 9001:2008 and ISO 14001:2004**

// **Performance Assurance Certification (PAC)**

- Generator Set Tested to ISO 8528-5 for Transient Response
- Verified product design, quality and performance integrity
- All engine systems are prototype and factory tested

// **Power Rating**

- Accepts Rated Load in One Step Per NFPA 110
- Permissible average power output during 24 hours of operation is approved up to 75%.

STANDARD FEATURES*

- // MTU Onsite Energy is a single source supplier
 - // Global Product Support
 - // 2 Year Standard Warranty
 - // 10V 1600 Diesel Engine
 - 17.5 Liter Displacement
 - Common Rail Fuel Injection
 - 4-Cycle
 - // Engine-generator resilient mounted
 - // Complete Range of Accessories
- // Generator
 - Brushless, Rotating Field Generator
 - 2/3 Pitch Windings
 - PMG (Permanent Magnet Generator) supply to regulator
 - 300% Short Circuit Capability
 - // Digital Control Panel(s)
 - UL Recognized, CSA Certified, NFPA 110
 - Complete System Metering
 - LCD Display
 - // Cooling System
 - Integral Set-Mounted
 - Engine Driven Fan

STANDARD EQUIPMENT*

// Engine

Air Cleaners
 Oil Pump
 Oil Drain Extension & S/O Valve
 Full Flow Oil Filters
 Closed Crankcase Ventilation
 Jacket Water Pump
 Thermostats
 Blower Fan & Fan Drive
 Radiator - Unit Mounted
 Electric Starting Motor - 24V
 Governor - Electronic Isochronous
 Base - Formed Steel
 SAE Flywheel & Bell Housing
 Charging Alternator - 24V
 Battery Box & Cables
 Flexible Fuel Connectors
 Flexible Exhaust Connection

// Generator

NEMA MG1, IEEE and ANSI standards compliance for temperature rise and motor starting
 Sustained short circuit current of up to 300% of the rated current for up to 10 seconds
 Self-Ventilated and Drip-Proof
 Superior Voltage Waveform
 Digital, Solid State, Volts-per-Hertz Regulator
 No Load to Full Load Regulation

Brushless Alternator with Brushless Pilot Exciter
 4 Pole, Rotating Field
 125 °C Maximum Prime Temperature Rise
 1 Bearing, Sealed
 Flexible Coupling
 Full Amortisseur Windings
 125% Rotor Balancing
 3-Phase Voltage Sensing
 ±0.25% Voltage Regulation
 100% of Rated Load - One Step
 5% Maximum Total Harmonic Distortion

// Digital Control Panel(s)

Digital Metering
 Engine Parameters
 Generator Protection Functions
 Engine Protection
 CAN Bus ECU Communications
 Windows®-Based Software
 Multilingual Capability
 Remote Communications to RDP-110 Remote Annunciator
 16 Programmable Contact Inputs
 Up to 11 Contact Outputs
 UL Recognized, CSA Certified, CE Approved
 Event Recording
 IP 54 Front Panel Rating with Integrated Gasket
 NFPA110 Compatible

* Represents standard product only. Consult Factory/MTU Onsite Energy Distributor for additional configurations.

APPLICATION DATA

// Engine

Manufacturer	MTU
Model**	10V 1600 G10F
Type	4-Cycle
Arrangement	10-V
Displacement: L (Cu In)	17.5 (1,068)
Bore: cm (in)	12.2 (4.8)
Stroke: cm (in)	15 (5.91)
Compression Ratio	17.5:1
Rated RPM	1,500
Engine Governor	Electronic Isochronous (ADEC)
Max Power: kWm (bhp)**	407 (546)
Speed Regulation	±0.25%
Air Cleaner	Dry

// Liquid Capacity (Lubrication)

Total Oil System: L (gal)	61 (16)
Engine Jacket Water Capacity: L (gal)	60 (15.9)
System Coolant Capacity: L (gal)	99.3 (26.2)

// Electrical

Electric Volts DC	24
Cold Cranking Amps Under -17.8 °C (0 °F)	1,050

// Fuel System

Fuel Supply Connection Size	#10 JIC 37° Female M20 x 1.5 Male Adapter Provided
Fuel Return Connection Size	#6 JIC 37° Female M14 x 1.5 Male Adapter Provided
Maximum Fuel Lift: m (ft)	5 (16)
Recommended Fuel	Diesel #2
Total Fuel Flow: L/hr (gal/hr)	340.7 (90)

// Fuel Consumption

	**PRIME
At 100% of Power Rating: L/hr (gal/hr)	91 (24.1)
At 75% of Power Rating: L/hr (gal/hr)	73 (19.4)
At 50% of Power Rating: L/hr (gal/hr)	53 (13.9)

// Cooling - Radiator System

	**PRIME
Ambient Capacity of Radiator: °C (°F)	50 (122)
Max. Restriction of Cooling Air, Intake, and Discharge Side of Rad.: kPa (in. H ₂ O)	0.125 (0.5)
Water Pump Capacity: L/min (gpm)	433 (115)
Heat Rejection to Coolant: kW (BTUM)	210 (11,942)
Heat Rejection to After Cooler: kW (BTUM)	47 (2,673)
Heat Radiated to Ambient: kW (BTUM)	48.1 (2,735)
Fan Power: kW (hp)	16.4 (22)

// Air Requirements

	**PRIME
Aspirating: *m ³ /min (SCFM)	24 (848)
Air Flow Required for Rad. Cooled Unit: *m ³ /min (SCFM)	554 (19,564)
Remote Cooled Applications; Air Flow Required for Dissipation of Radiated Gen-set Heat for a Max of 25 °F Rise: *m ³ /min (SCFM)	174.7 (6,169)

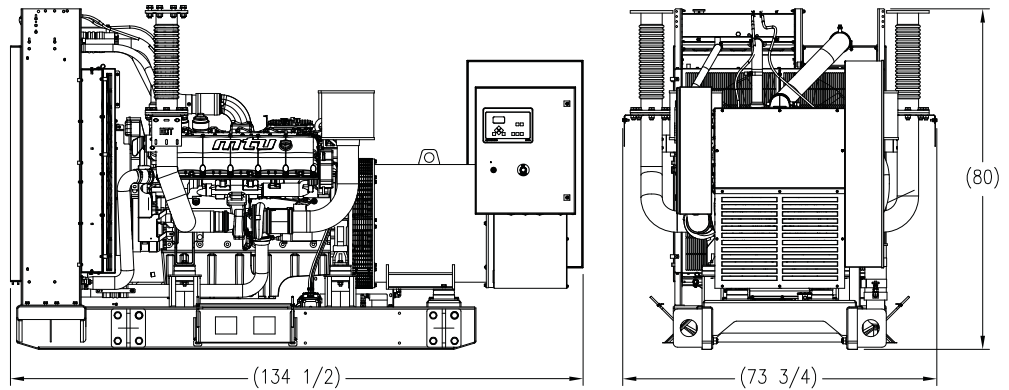
* Air density = 1.184 kg/m³ (0.0739 lbm/ft³)

// Exhaust System

	**PRIME
Gas Temp. (Stack): °C (°F)	549 (1,020)
Gas Volume at Stack Temp: m ³ /min (CFM)	68 (2,416)
Maximum Allowable Back Pressure: kPa (in. H ₂ O)	15 (60.2)

** Prime technical data is for a Fuel-Optimized Prime unit.

WEIGHTS AND DIMENSIONS



Drawing above for illustration purposes only, based on standard open power 400 volt generator set. Lengths may vary with other voltages. Do not use for installation design. See website for unit specific template drawings.

System	Dimensions (L x W x H)	Weight (dry/less tank)
Open Power Unit (OPU)	3,416 x 1,873 x 2,032 mm (134.50 x 73.75 x 80 in)	4,552 kg (10,035 lb)

Weights and dimensions are based on open power units and are estimates only. Consult the factory for accurate weights and dimensions for your specific generator set.

SOUND DATA

Unit Type	Prime Full Load
Level 0: Open Power Unit dB(A)	88.2

Sound data is provided at 7 m (23 ft). Generator set tested in accordance with ISO 8528-10 and with infinite exhaust.

EMISSIONS DATA

NO _x + NMHC	CO	PM
C/F	C/F	C/F

RATING DEFINITIONS AND CONDITIONS

- // Prime power ratings apply to installations where utility power is unavailable or unreliable. At varying load, the number of generator set operating hours is unlimited. A 10% overload capacity is available for one hour in twelve. Ratings are in accordance with ISO 8528-1, ISO 3046-1, BS 5514, AS 2789, and DIN 6271.
- // Deration Factor:
 - Altitude:** Consult your local MTU Onsite Energy Power Generation Distributor for altitude derations.
 - Temperature:** Consult your local MTU Onsite Energy Power Generation Distributor for temperature derations.

Materials and specifications subject to change without notice.

C/F = Consult Factory/MTU Onsite Energy Distributor